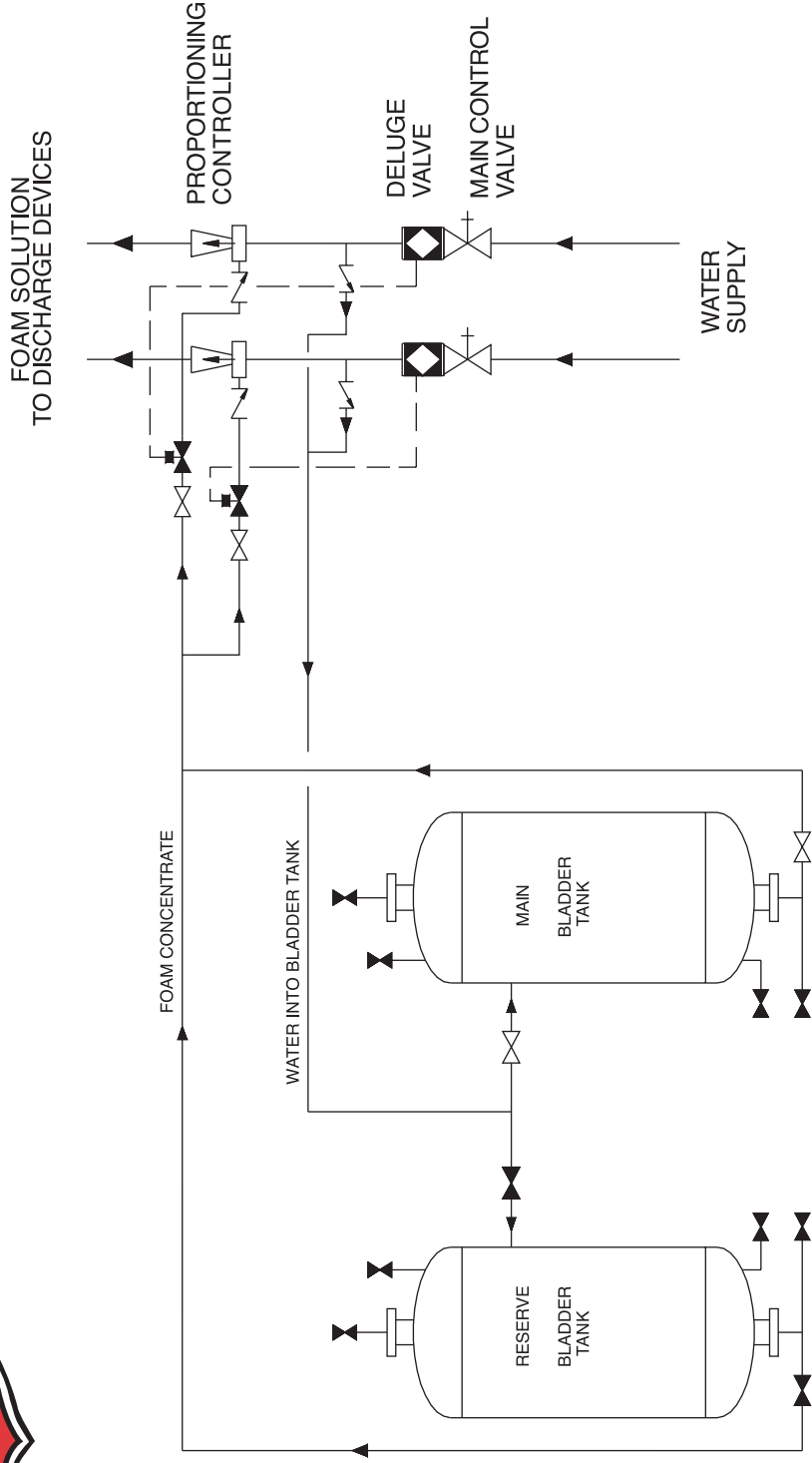




FOAM PROPORTIONING EQUIPMENT

BLADDER TANK



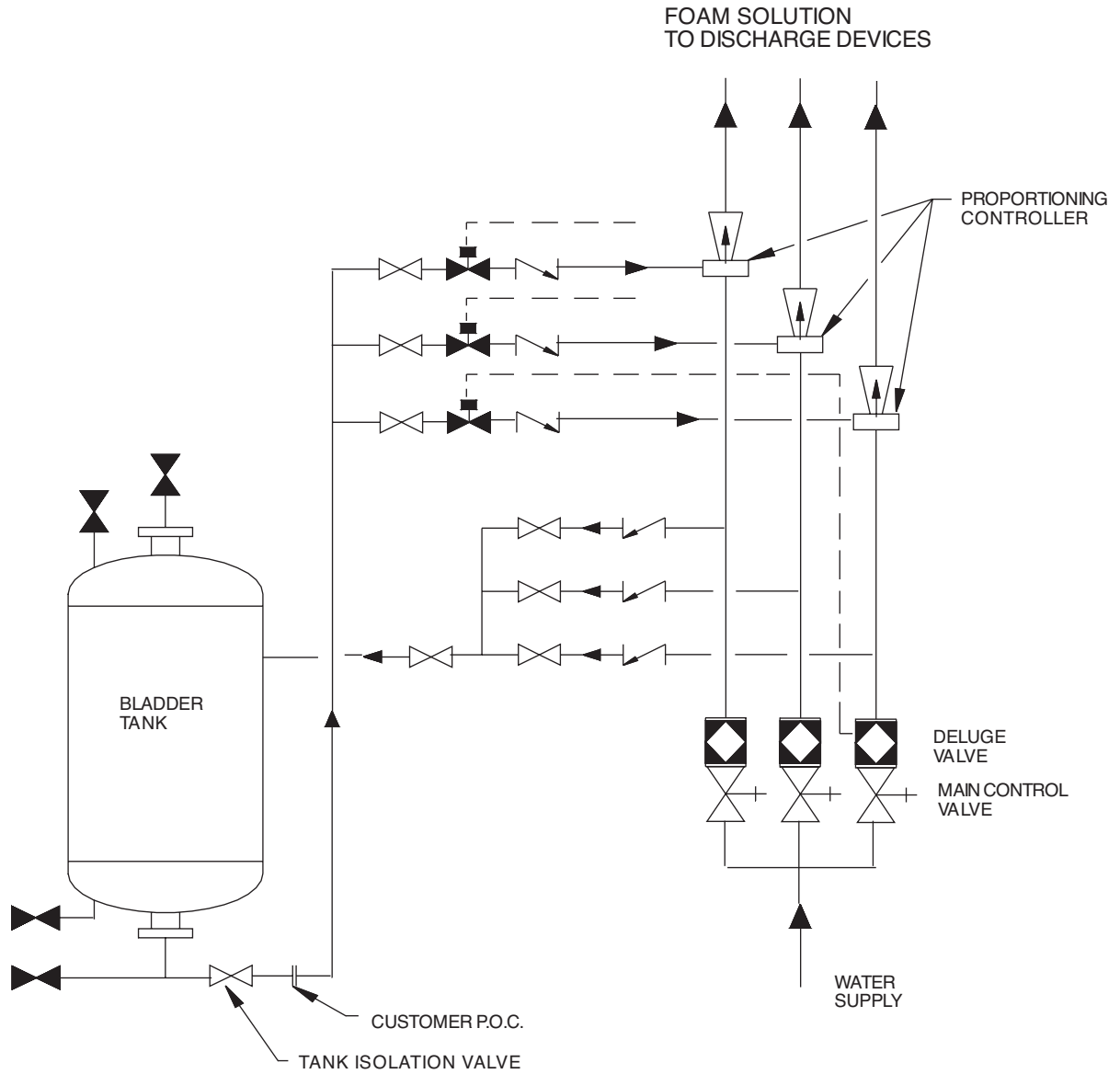
BLADDER TANK SYSTEM
with MAIN & RESERVE TANKS and TWO PROPORTIONERS





FOAM PROPORTIONING EQUIPMENT

BLADDER TANK - FIG 3



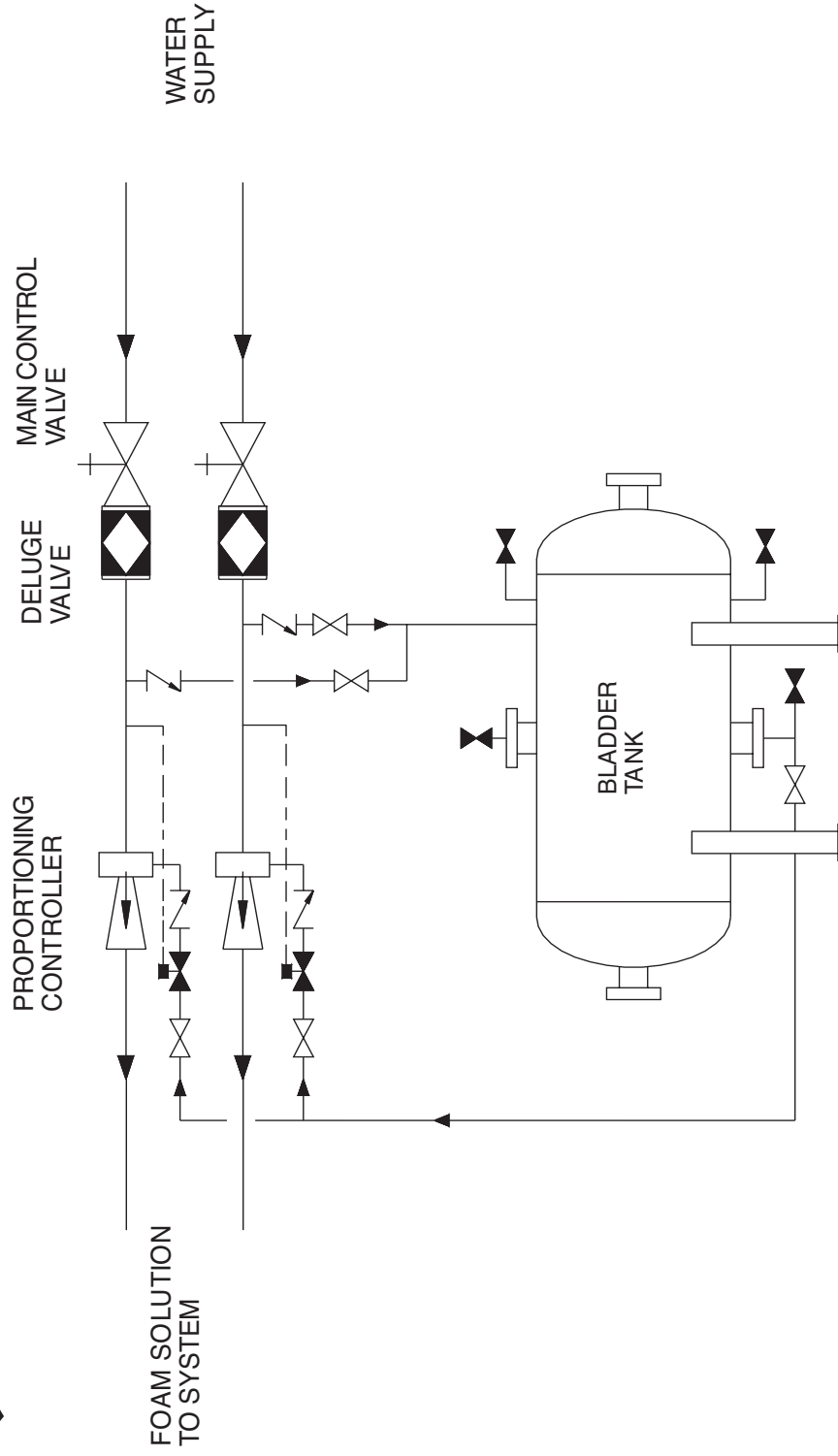
**VERTICAL BLADDER TANK
with THREE PROPORTIONING CONTROLLERS**





FOAM PROPORTIONING EQUIPMENT

BLADDER TANK FIG - 4



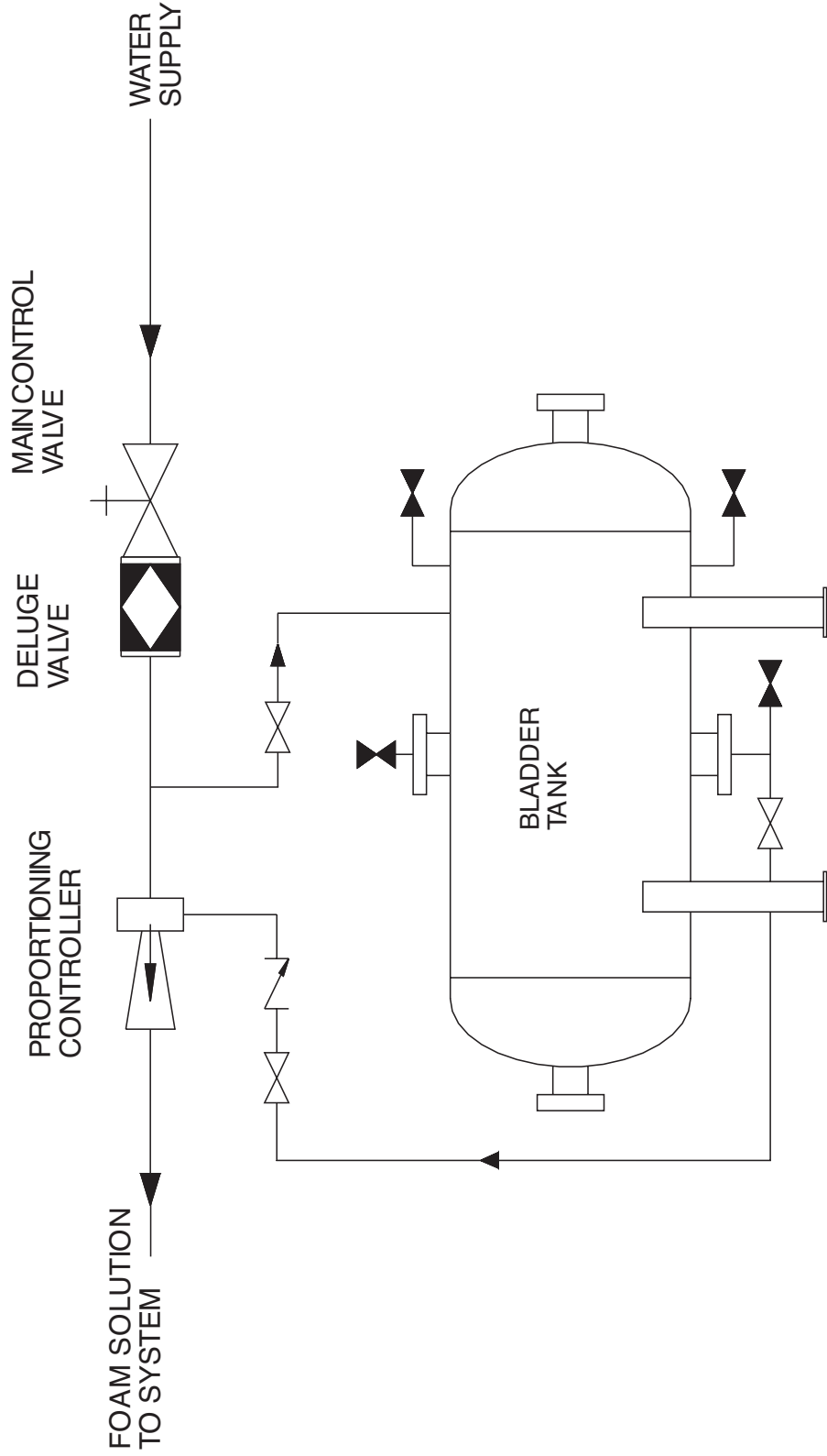
HORIZONTAL BLADDER TANK with TWO PROPORTIONING CONTROLLERS





FOAM PROPORTIONING EQUIPMENT

BLADDER TANK FIG - 5



HORIZONTAL BLADDER TANK with ONE PROPORTIONING CONTROLLER

