



FOAM PROPORTIONING EQUIPMENT

FLEXIBLE CONNECTIONS

DESCRIPTION

Buckeye provides flexible connections for mounting between atmospheric storage tanks and balanced pressure pump skid units. These connections are designed to provide a flexible joint between the rigid piping from the foam pump to the fixed foam concentrate storage tank. This flexibility prevents vibration damage to the tank and piping. In addition polyethylene foam concentrate storage tanks can develop an 'elephant foot' at the base of the tank after time. This effect is due in part to sagging of the tank shell wall and the flexible connection is able to absorb this deflection without damage to either the tank or piping system.

SPECIFICATIONS

The flexible connectors shall be molded of multiple layer neoprene and synthetic fiber, reinforced with steel wire braid. Flanges shall be floating and corrosion resistant steel.

FEATURES

- Operating pressure: 214 psi
- Burst pressure: 850 psi
- Vacuum rating: 29 ° HG
- Temperature rating: 14 ° F ~~2~~40 ° F

OPTIONS

- All stainless steel construction.

ORDERING INFORMATION

BF FC 2"
 BF FC 3"
 BF FC 4"
 BF FC 6"

Standard Flexible Connection

PART NO.	SIZE	LENGTH
BF FC - 2	2 Inch	6 Inch
BF FC - 3	3 Inch	6 Inch
BF FC - 4	4 Inch	6 Inch
BF FC - 6	6 Inch	6 Inch

Optional All-Stainless Steel Connection

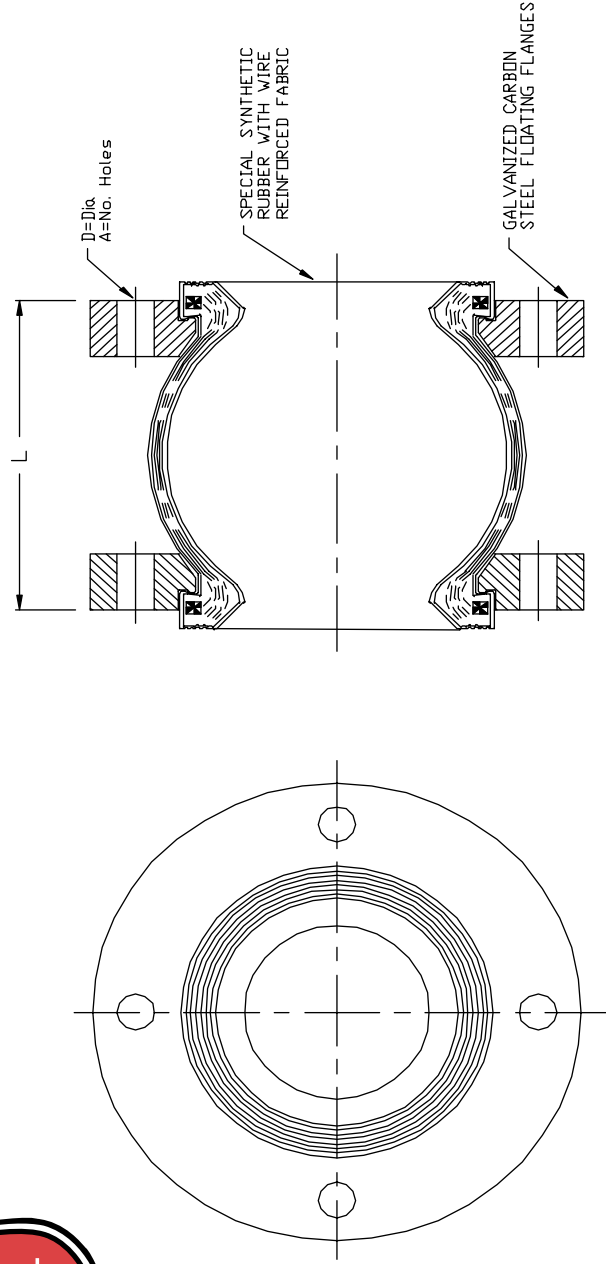
PART NO.	SIZE	LENGTH
BF FC/SS - 2	2 Inch	9 Inch
BF FC/SS - 3	3 Inch	9 Inch
BF FC/SS - 4	4 Inch	9 Inch
BF FC/SS - 6	6 Inch	11 Inch





FOAM PROPORTIONING EQUIPMENT

BF FC SERIES FLEXIBLE CONNECTIONS



ITEM NO:	SIZE I.D.	L	D	A	AXIAL COMPRESSION	AXIAL ELONGATION	TRANSVERSE MOVEMENT	ANGULAR DEFLECTION
BF FC - 2	2"	6"	3/4"	4	1/2"	3/8"	+/- 1/2"	15°
BF FC - 3	3"	6"	3/4"	4	1/2"	3/8"	+/- 1/2"	15°
BF FC - 4	4"	6"	3/4"	4	5/8"	3/8"	+/- 1/2"	15°
BF FC - 6	6"	6"	3/4"	4	5/8"	3/8"	+/- 1/2"	15°





FOAM PROPORTIONING EQUIPMENT

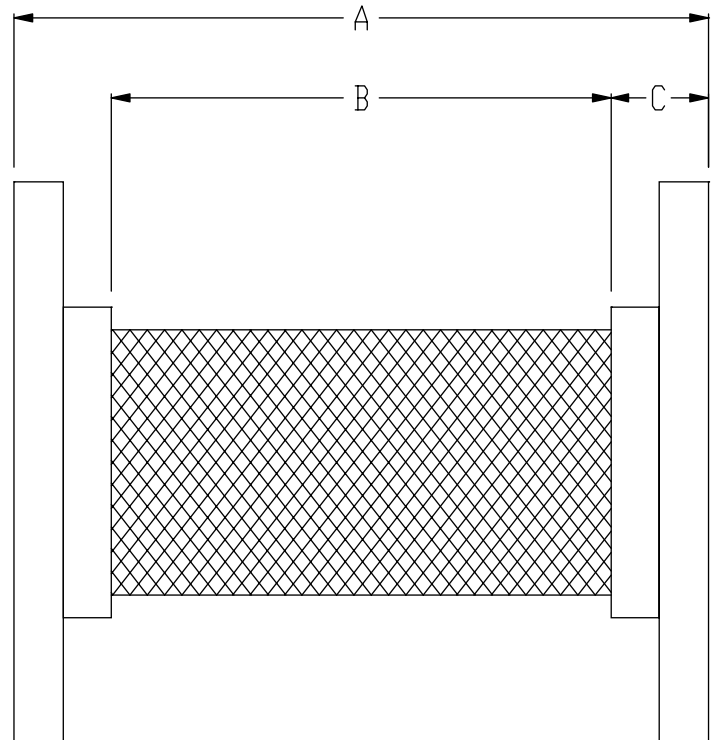
BF FC/SS SERIES FLEXIBLE CONNECTIONS

SPECIFICATIONS

- 1/8" maximum offset motion
- Plate flanges: ASA 150lb
- Stainless steel hose
- Stainless steel single braid

OPTIONS

- 300lb or 600lb flanges
- Double braid
- Longer lengths available



ITEM NO.	SIZE I.D.	A (OAL)	B (LIVE LENGTH)	C (FTG LGTH)	WP @ 70 5	WEIGHT
BF FC/SS - 2	2 "	9 "	6 7/8"	5/8"	400 PSI	11 LBS
BF FC/SS - 3	3 "	9 "	6 7/8"	5/8"	240 PSI	15 LBS
BF FC/SS - 4	4 "	9 "	6 7/8"	5/8"	280 PSI	22 LBS
BF FC/SS - 6	6 "	11 "	8 1/4"	3/4"	200 PSI	36 LBS

