



BULLETIN

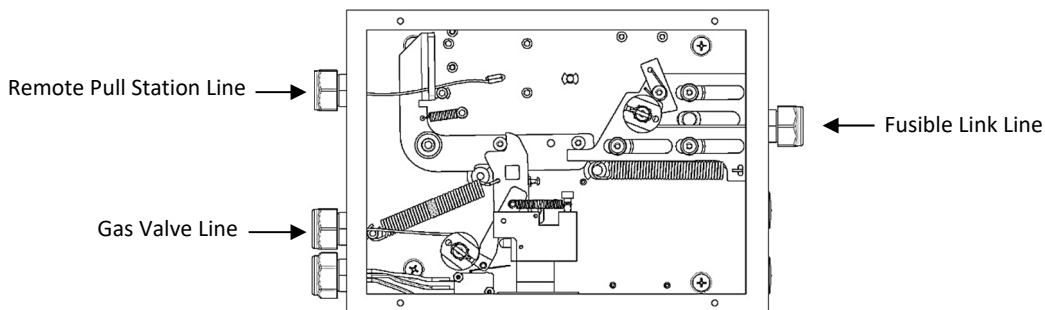
To: Buckeye Fire Equipment Authorized *Kitchen Mister* Distributors

Subject: New Systems Releasing Modules: **Model SRM2-M, SRM2-E-120, and SRM2-E-24**

Buckeye Fire Equipment is pleased to announce the introduction of three new systems releasing modules for the *Kitchen Mister* System:

Model SRM2-M Mechanical Systems Releasing Module: A new mechanical Systems Releasing Module, see technical manual (**Model BFR-TM**, dated 02-01-2020) for installation instructions and limitations.

- The **Model SRM2-M** will replace the **Model SRM** Systems Releasing Module.
- The **Model SRM-D** Duel Systems Releasing Module will remain unchanged.
- The **Model SRM2-M** has the same limitations as the **Model SRM** with respect to mounting and input/output limitations (i.e., fusible link line, remote pull station line, and gas valve line).
- The **Model SRM2-M** has a revised setting mechanism to offer the distributor improved functionality.
- For training on the new **SRM2-M**, a training video can be found on our website at <http://buckeyefire.com/restaurant-systems-training/>



Model SRM2-M Mechanical Systems Releasing Module

Model SRM2-E-120 Electric Systems Releasing Module: A new 120 VAC Systems Releasing Module, see technical manual (**Model BFR-TM**, dated 02-01-2020) for installation instructions and limitations.

Model SRM2-E-24 Electric Systems Module: A new 24 VDC Systems Releasing Module see technical manual (**Model BFR-TM**, dated 02-01-2020) for installation instructions and limitations.

For more information please visit our website or contact Technical Support. As always, thank you for your continued support.

Bulletin No. PIS10590420

P.O. Box 428 • 110 Kings Road • Kings Mountain, N.C. 28086-0428 • Tele: 704-739-7415 • Fax: 704-739-7418

E-mail: bfec@buckeyef.com • Internet: <http://www.buckeyefire.com>